

SINCE 1992
NUETECH
ENERGY FOR CHANGING WORLD
An ISO 9001 : 2015 COMPANY



LAZURITE
IS SOLAR'S
NEW PRODUCT
OF PRIDE.



AWARDS



INDIA 5000 BEST MSME
AWARD FOR QUALITY
EXCELLENCE 2020



KASSIA UJWALA
UDYAMI - 2018



ASSOCHAM SUPER
TYCOON MSME 2017

NUETECH SOLAR SYSTEMS PVT LTD

Since 1992, Nuetech Solar Systems Pvt Ltd has been an experienced frontrunner in the supply and manufacture of solar water heaters. We have also spread our wings to be a trusted supplier of solar rooftops, solar street lights, solar pumps, solar integrated heat pumps, and water purification plants across India.

Having a solar system is the need of the hour, and so is the need to maintain the solar tank. Nuetech Solar Systems' newly launched technology is here to help you with just that.

LAZURITE

The solar tank is evenly coated with specially formulated Lazurite which melts and spread across the surface with uniform thickness. By this technology you will get clean and hygienic water storage system. Also, marine line that is settled steadily on the tank does not melt with any further heating.

Certified By Solar Energy Centre Pune University As Per Bis

Here is why you should use Lazurite - Marine Line

- Uniform thickness of marine line ensures the water remains hot for a long duration.
- It is environmentally friendly, safe, and suitable for all types of water.
- It prevents the accumulation of chemicals, salts, and impurities on the surface of the water tank.
- The water you use from a marine line-coated tank is safe for your skin and hair.
- It provides a 10-year warranty with an uninterrupted supply of clean and hygienic hot water.
- Marine line ensures the tank stays free from leakage.



Two Sides Inner & Outer Marine Line Protect Your Tank From Being Rusted and Corroded



Gold Standard Tube Which given Maximum Hot Water



Suitable for All types of Water



Best Service support with Well Experienced Technicians

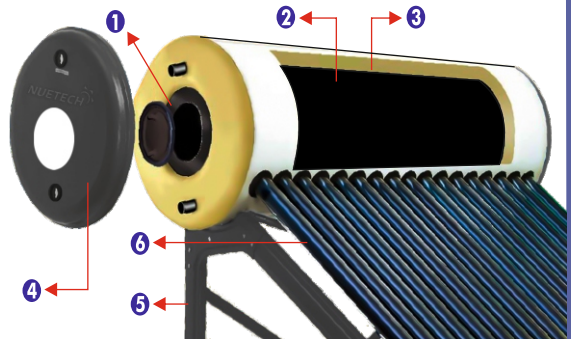


Lakhs of Satisfied Customers



Largest Dealer Network all over India

- 1 Openable doors for cleaning the tank
- 2 Two Sides Inner & Outer Marine line protect from being rusted and corroded
- 3 High-Pressure High Density PUF insulation
- 4 Capsule Dish-end-shaped Tank withstands greater pressure
- 5 Special Profile Rolled Section Stand provides stability and strength to system
- 6 Gold standard tube which gives maximum Hot water



ADDRESS:

NUETECH SOLAR SYSTEMS PVT. LTD.
 #5, B.M.SHANKARAPPA INDUSTRIAL ESTATE,
 SUNKADAKATTE, MAGADI MAIN ROAD,
 BANGALORE – 560 091.



+91 92431 444 44



sales@nuetechsolar.com



www.nuetechsolar.com



Scan Me

AUTHORIZED DEALER